	<b>Datasheet</b>		
	Skrevet av / Prepared by: Erik Haglund	Dato / Date: 12.01.2021	Dok.nr. / Doc.no.: <b>4-300</b>
	Godkjent av / Approved by: Andreas Sæhli M-H	Dato / Date: 16.03.2026	Rev. / Rev.: <b>3</b>
TITTEL / OBJECT: <b>Magnetic mount for NATO antennas_ Extra strong grip</b>			Side / Page: 1 av / of 2

**Table 1 Technical data**

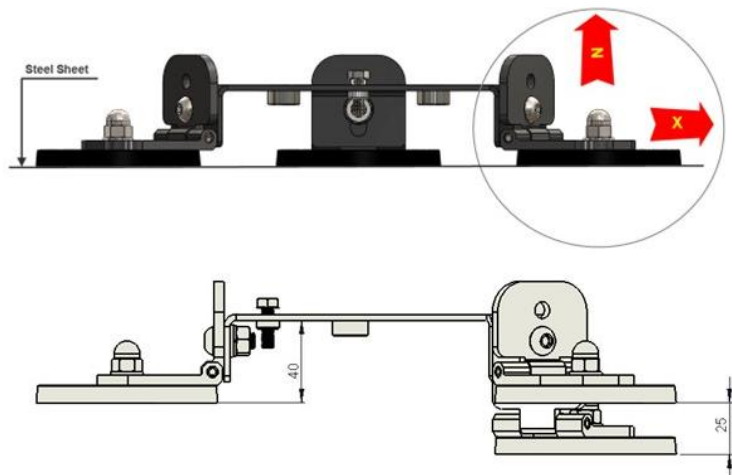
<b>Manufacturer Part number</b>	<b>104577</b>
<b>NATO Stock Number</b>	<b>NSN: 5985-25-164-0239</b>
Dimensions	345x311x68-93mm
Weight	1.4KG
Finish	Black (Other colors available on request)




**Table 2 Bill of material**

<b>NO16PA402 - Magnetic mount for NATO antennas_ Extra strong grip</b>			
<b>Qty</b>	<b>Description</b>	<b>Material</b>	<b>Part number</b>
3	NO16PA203 - Hinge for magnetic antenna mount	Aluminum, Black Anodized.	103510
3	Magnet, Neodymium Ø88mm, Rubberized, M8 threaded stud	Neodymium, Iron, Rubber	104574
1	NO16PA200 - Antenna bracket	Steel, Powder painted according to Federal stand FS 8010-1645	101231
26	Nuts & bolts	High grade steel and Stainless steel A4	Varius

Theoretical holding force of each of the magnet pads, when clamped to plane Metal surface:  
 Z: Holding force/Pull force: 480,7Newton(49Kg)  
 X: Shear force: 135Newton (13,7Kg)



General Inquiries: [sales@tinex.no](mailto:sales@tinex.no)  
 +47 481 96 666

	<b>Datasheet</b>		
	Skrevet av / Prepared by: Erik Haglund	Dato / Date: 12.01.2021	Dok.nr. / Doc.no.: <b>4-300</b>
	Godkjent av / Approved by: Andreas Sæhli M-H	Dato / Date: 16.03.2026	Rev. / Rev.: <b>3</b>
TITTEL / OBJECT: <b>Magnetic mount for NATO antennas_ Extra strong grip</b>			Side / Page: 2 av / of 2

***Magnetic mount with ground plate and conductive gasket***



The magnetic mount is a field-proven solution for fixation of antennas, sensors, and other equipment to ferromagnetic metal surfaces such as on a combat vehicle roof while remaining easy to move during operational scenarios. The magnetic base has adjustable leveling and angles to adapt to different surfaces. The mount comes with standard NATO 4-hole pattern, M10 threaded self-clinch nuts. The mount can be supplied with various accessories such as ground plates, conductive gaskets or adapters for required equipment.

**Environmental considerations RoHS/REACH on request**

**COPYRIGHT**

Copyright in this document is vested in TINEX AS. This document is issued with confidence for the purpose only for which it is supplied. It must not be reproduced as a whole or in part except with the consent in writing of TINEX AS and then only on condition that this notice is included in any such reproduction. No information as to the contents or subject matter of this document or any part thereof arising directly or indirectly therefore shall be given orally or in writing or communicated in any manner whatsoever to any third party being an individual firm or company or any employee thereof without the prior consent in writing of TINEX AS.



General Inquiries: [sales@tinex.no](mailto:sales@tinex.no)  
+47 481 96 666