	Datasheet		
	Skrevet av / Prepared by: Erik Haglund	Dato / Date: 13.01.2021	Dok.nr. / Doc.no.: 4-299
	Godkjent av / Approved by: Andreas Sæhli M-H	Dato / Date: 16.03.2026	Rev. / Rev.: 3
TITTEL / OBJECT: Magnetic mount for NATO antennas			Side / Page: 1 av / of 2

Table 1 Technical data

Manufacturer Part number	103684
NATO Stock Number	NSN: 5340-25-162-4315
Dimensions	301x270x63-93mm
Weight	1.2KG
Finish	Black (Other colors available on request)

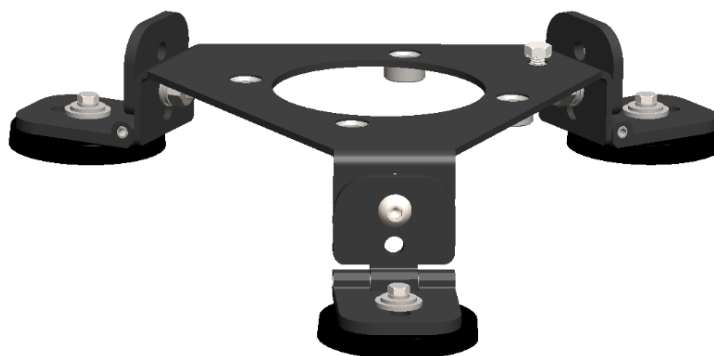
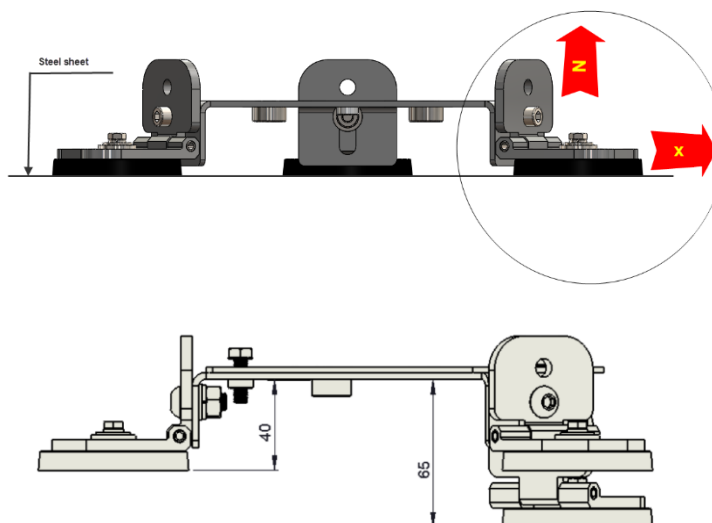



Table 2 Bill of material

NO16PA401 - Magnetic mount for NATO antennas			
Qty	Description	Material	Part number
3	NO16PA203 - Hinge for magnetic antenna mount	Aluminum, Black Anodized.	103510
3	Magnet, Neodymium Ø66, Rubberized, M5 threaded	Neodymium, Iron, Rubber	101990
1	NO16PA200 - Antenna bracket	Steel, Powder painted according to Federal stand FS 8010-1645	101231
26	Nuts & bolts	High grade steel and Stainless steel A4	Varius

Theoretical holding force of each of the magnet pads, when clamped to plane Metal surface:
 Z: Holding force/Pull force: 250Newton(25,5Kg)
 X: Shear force: 85Newton (8,66Kg)

Physical Tensile/pull test has been performed on the antenna mount assembly. Antenna mount was clamped to a 0,7mm painted steel surface. Straight vertical Pull was performed from center of mass. The steel sheet bends gradually when high load tension is applied. The hinges slightly rotate in the pull, so you don't get the straight pull from center of the magnets. The mount pulls off at approx. 375Newton. (38Kg) Different surfaces affect the maximum holding force.



	Datasheet		
	Skrevet av / Prepared by: Erik Haglund	Dato / Date: 13.01.2021	Dok.nr. / Doc.no.: 4-299
	Godkjent av / Approved by: Andreas Sæhli M-H	Dato / Date: 16.03.2026	Rev. / Rev.: 3
TITTEL / OBJECT: Magnetic mount for NATO antennas			Side / Page: 2 av / of 2

Magnetic mount with ground plate and conductive gasket



The magnetic mount is a field-proven solution for fixation of antennas, sensors, and other equipment to ferromagnetic metal surfaces such as on a combat vehicle roof while remaining easy to move during operational scenarios. The magnetic base has adjustable leveling and angles to adapt to different surfaces. The mount comes with standard NATO 4-hole pattern, M10 threaded self-clinch nuts. The mount can be supplied with various accessories such as ground plates, conductive gaskets or adapters for required equipment.

Environmental considerations RoHS/REACH on request

COPYRIGHT

Copyright in this document is vested in TINEX AS. This document is issued with confidence for the purpose only for which it is supplied. It must not be reproduced as a whole or in part except with the consent in writing of TINEX AS and then only on condition that this notice is included in any such reproduction. No information as to the contents or subject matter of this document or any part thereof arising directly or indirectly therefore shall be given orally or in writing or communicated in any manner whatsoever to any third party being an individual firm or company or any employee thereof without the prior consent in writing of TINEX AS.



General Inquiries: sales@tinex.no
+47 481 96 666